

# **Universal Six-Pointed Portals With White Time Quality**

Why is this information being given out now? It is a fact that some researchers already know this, but what about the general public? They might want to know also. They might want to have a chance to not only know more, but also to experience and see things, like the UFO's.

Since 1966 I have learned and know quite a bit about extraterrestrials and their UFO traveling skills and their best landings zones. Now, I want people to have their own experiences and maybe see this for themselves. So, below are some tips of how to be able to find the right places to observe, study and experience UFO's.

This however, is not a guarantee for personal encounters or travels to other worlds. Such things take time and need a sturdy connection and communication with the extraterrestrial. It should also be carefully planned and well scheduled before hand, so that everything works for you but also for them. Also, you want to be very sure that your encounter is with beings from a loving, nice, good and credible side. Be careful and take care of yourself, always prioritizing you and your safety, but also listening to them and their advise. If you are willing to learn, these non-earthly beings can share some amazing knowledge about absolutely everything existing.

## **Facts About Earth's Universal Portals**

There is something called White Time and it is found all over in the Universe and there are Tunnels that connect many planets with each other.

The White Time Energies are very much involved with at least two of the five Universal Grids or Fabrics in the Universe. Namely the Fabric of Time (with a north to south and east to west grid on a planetary surface) and the Fabric of Reality with its diagonal lines and net, that also have a chess checked pattern, which crisscross those of the Fabric of Time. All of the five Fabrics together hold the Universe's matters and qualities, also Dark Matter and Dark Energy.

Everywhere on Earth we also have White Time in nature. It exists in Six-Pointed Portals with their vertical Tunnels of no time, or as we say "all-time quality", time energy. It is there where many of the unexplainable and mysterious paranormal phenomena occur. Everything from sightings of nature beings to ghosts and of course most of Earth's UFO sightings, all of this occurs within or around the White Time Portals. These Six-Pointed Vertical Portals are needed for fast and safe UFO travels (see drawings).

Using White Time is one of the ways to travel very fast in space from one planet to another. It is also possible to travel horizontally, from one place to another place on Earth, without being seen.

For regular space travel we need two White Time Tunnels that must be attached and linked to each other. Using a metaphor for this is: It is like having two oranges with sticks sticking out. When slowly rotating the two oranges, sooner or later two sticks will meet and then they connect and the White Time Tunnel becomes active.

So, the different planets rotations will sooner or later let two active universal Tunnels meet and connect, then a very fast travel is possible, from planet A to planet B. It will take just 0.00043 seconds between A and B, no matter of the distance. The only important thing is that the craft needs to use the right and active Portals and Tunnels for the travel. By switching to other Tunnels, you can “sail” on White Time zip-zipping through the entire Universe, from one Six-Pointed Portal and its Tunnel to the next and next. So, if a normal travel with a fast craft from planet A to planet B takes over 90 years or much longer in regular space and time, it is almost direct using the Tunnels. When using a Six-Pointed Portal and its Tunnel of White Time might take you on a detour. Going from planet A, to the Tunnel from planet C and to the Tunnel of planet D and then to your destination planet B, that trip will take three times 0.00043 seconds. So, traveling to the Andromeda-galaxy in this way usually takes about 7 minutes. But, it is usually easier to travel inside a galaxy, where there are planets with new Tunnel choices everywhere or other things that are closer, that gives more Tunnel possibilities.

The Six-Pointed Portals on a planet and their Tunnels of White Time in space has to be totally free from all kind of debris. Otherwise, just one grain of sand is enough to create a serious accident. Still sometimes they need to be checked and attended to. Maintenance work falls on the inhabitants of that specific region of space.

It is also very important that the spacecraft itself is built in a certain material that is in harmony and in total sync with the White Time and the Six-Pointed Portal and its Tunnel, otherwise time and also substance friction occurs.

Within a Six-Pointed Portal and its Tunnels the spacecraft seem to be plowing through most insignificant matter like air, water, pollution, etc. when they are in fact, just flying in a White Time Tunnel.

Flying with White Time, in a more sophisticated spacecraft, it can also select a specific time frame/window in the past. Maybe selecting a time where something that is in the way now, didn't even exist then or wasn't built yet. So, the right kind of sophisticated spacecraft can easily fly through any kind of matter, like a manmade building, but even a mountain, or a moon, etc.

The extraterrestrials have also the knowledge to hold, bend, fold, twist etc., not only space, but also time itself. All of that knowledge is a part of the fundamental truths and holy principals of the universe.

## **Finding a Six-Pointed Portal on Earth**

Finding these Six-Pointed Portals with White Time Tunnels is not that hard, maybe you even have one in your direct neighborhood. To find it, you just need to be more aware of your surrounding environment and have your eyes open, really observe the nature, etc. Closely study the trees, bushes, grass, sand or dirt and look for clues. See if there are herbs, plants, bushes or trees that grow slowly. The trees usually have wood with a strong scent and smell that is one clue that a Portal might be present. If trees have divided or twisted themselves or lean inwards towards a center point, a specific spot, that is another clue of a Portal. Also, certain kinds of plants, flowers or herbs can be telling you the location of a Six-Pointed Portal. These plants or manmade-planted grains or even regular grass has a different color and texture within the Portal. Sand and also regular dirt can naturally form distinctive patterns within a Portal.

After visiting a confirmed Portal, then you just have to look for a repetition of what nature already has shown you there and look for the same at the new or unknown location. So, if you already know of one Six-Pointed Portal, that maybe recently has been open and visited by a UFO, make sure to check the environment there, so you can compare with your own surroundings at home.

The Six-Pointed Portals are found everywhere, all over the Earth. This also means that there are many underwater Portals with vertical Tunnels in our big oceans, also there, horizontal Tunnels can be made. Of course, even the underwater Portals have certain plants and similar things to notice, repeating itself in each of their Six-Pointed Water Portals with White Time.

## **The Land Based Six-Pointed Portals**

The measurement for and area of a planetary Portal is 5 to 500 meters and its shape is an elongated six-pointed shape. Six-Pointed Portals can also be attached to each other to create an even bigger system. They will then have a tight honeycomb pattern, sometimes in the same size as the original one or with different sized Six-Pointed Portals attached on the shorter sides. This makes the entire Six-Pointed Portal place and it's vertical up going Tunnel much bigger or the right size for a bigger craft, to land at and take off from. Even though they want to prevent it, UFO sightings can sometimes occur, due to the fact that the craft has used the wrong angle at arrival or departure or it has simply run out of its White Time time-window.

The activation levels are counted from 1 to 10. Most landings and take offs require an activation of at least 6 to 8. It is only in the free and open space of the Universe that it reaches 10.

Specific active Six-Pointed Portals and Tunnels use these their Power Places to “communicate” with all kind of things in the Universal Grid, not only planets. The Portals and Tunnels can select things, like Universal Forces and Energies,

that they are reaching and then transfer those Forces and Energies to other planets.

For planet Earth that means that we also can connect and “communicate” with the outside, even the outside our solar system, connecting with other Six-Pointed Portals and Tunnels of other planets very far away. Here on Earth we have to not only receive Universal Forces and Energies, but also learning how to broadcast them all over Earth.

As we have already said, one specific Portal’s energy flow out from Earth and meets another planet’s Portal, this connection creates a Tunnel in between the two and gives a safe White Time travel possibility. Sadly, the Tunnels from Earth and out into the Universe pollute the receiving planets out there with our not so good vibes and rather low dysfunctional energies. We have not taken care of our planetary grid.

Depending on where Earth currently is in its orbit and where the other planets are in their orbits and rotations, the activation time-window is very different, short or long. The repetition cycle of a specific Six-Pointed Portal is over 40 years, until it starts over again from the beginning. There isn’t any logical counting or easy figuring out a short-term planet or moon constellation, for the openings of a Six-Pointed Portal with a White Time Tunnel in between Earth and the Moon.

The problem on Earth is also that cities and houses are being built everywhere. The electricity that is used disturbs the flow of White Time energies in the Portals and plugs them up, so they become unusable. Both the over-head power lines and buried power lines with electricity very much disturbs the planet’s entire grids of White Time. They suffocate Earth’s energetic process of “breathing” in and out all existing Universal Energies.

### **Feeling the Six-Pointed Portal Place with Your Own Hands**

You can also learn to use your hand or both hands to feel where a Portal is located, or use a pendulum or dousers. The inner sense and feeling of a Six-Pointed Portal is, as we have already said, usually a very tranquil and emotionally harmonies place. You feel drawn to its beauty and you want to stay there and relax in peace.

### **When to Time-Wise Be at the Right Portal**

First you have to locate a Six-Pointed Portal and map it out. Some, who have contact, use the same spots over and over, but sometimes with a lot of time in between. They mark the places with small pieces of silver duct tape at knee height. If someone new is going there for an experience, we usually use silver duct tape in the flamingo color, so it is easier for him or her to find the right spot. When the person has learned the location and has photographed the place, then they change the tape into normal silver duct tape.

Then you of course need to know the activation, the date and hour, minute and second of its opening. The best is to have a time schedule, like you have for a bus or train, so that you know when your Portal is going to open up, be active and for how long. Anyone with an ongoing universal contact, has these schedules, maybe ask one of them.

### **Two Types of White Time**

There are two types of White Time. One with good sturdy straight lines or Tunnels and one with free floating ribbons, threads or thin veils. The activation level with in the White Time ribbons fluctuates and changes, making it an unsafe and unwise choice for traveling.

In Six-Pointed Portals and their Tunnels we have undisturbed White Time. The rather unpredictable and unstable Worm Holes also has White Time, but more in a ribbon form. Of course the extraterrestrials can stabilize those, but why bother when Six-Pointed Portals and Tunnels are everywhere.

So, ribbons are not used for safe travels, because the ribbons might also suddenly break or tear, or turn off and completely change direction. Then a serious accident can happen and we can burn ourselves on the regular time, outside of the White Time Tunnel.

### **Vertical Tunnels and Horizontal Ones**

To hide from sight, a UFO can use a vertical Six-Pointed Portal and its Tunnel, getting on and off Earth unnoticeable. They can also create a horizontal Tunnel between two active Tunnel systems. The bigger manned craft can send out two smaller, often glowing orbs or disks, size 10 centimeters up to 7 meters. They then create a stable horizontal Tunnel with White Time. The first orb/disk connects to the already active Tunnel. The bigger craft travels in and the second orb/disk is sent away too and connects with another active vertical Tunnel somewhere else, establishing a horizontal tunnel for a quick getaway. In this way, just the orbs are seen, but not the bigger craft itself.

The small glowing orbs or disks can also be used for making messages/crop circles in fields or in other things like sand, dirt, etc.

### **Persons Who Can Activate Portals Themselves**

Some people on Earth can activate a Six-Pointed Portal at its location or activate a Six-Pointed Portal where there isn't any existing. This is done for personal use or for assisting, let say a UFO that otherwise would get "trapped" or stranded with no Tunnel. Of course the extraterrestrials also can do this, but sometimes they are occupied with their work. So, a UFO craft with a longer mission could know that they would be running out of their White Time timeframe and window, then they get assistance from a contact person with the skills to help them. Also, if the Tunnel is too small or narrow, witnesses can see a small edge or a glint of a part of the spacecraft, that usually doesn't matter.

At the time when a person creates White Time or a Six-Pointed Portal with a Universal Tunnel, the person needs to connect themselves with the White Time on an atomic level in their own body. Using the same technique as we do for dematerialization or materialization or regular time traveling.

### **Other Things Can Be Affected**

Other things being affected by White Time and the active Six-Pointed Portals with their Tunnels, like technical things for example, watches will afterwards show the wrong time. Witnesses can experience four hours in a Six-Pointed Portal Place, but outside only a few minutes have past.

If scales are used, that might show the wrong weight in the Six-Pointed Portal, because White Time very much affects gravity. Usually you weigh less.

In an active Portal a compass needle just spins around.

The light from a flashlight breaks either straight downwards to the ground or the light just stops and is cut off in midair. Laser light also breaks, but that light goes out on the same height as it went in, on the other side of the Portal's Tunnel.

Technical equipment, as the one that measures the electromagnetic field, goes down to zero in an active Portal. Afterwards, it goes up again to normal measurements for that area and weather at that time.

The sounds from birds singing or other noises disappear, when you are in an active Six-Pointed Portal.

Certain smells and tastes can also be experienced in an active Portal.

It is possible to have physical sensations like tingling, embrasive feelings or the feeling of heat or cold, etc.

A person can also have other special sensations of seeing things differently, more with a tunnel vision. The feeling that the Portal's Tunnel has enormous height and width is common and when looking up at the stars, they seem closer and much brighter. Also, it is possible to experience seeing a milky white haze in the Tunnel and of course colored lights or a very bright light, if there is a craft above you.

### **Inside and Outside of an Active Six-Pointed Portal**

There are layers, from the ground and up, some layers reach up to 400 kilometers from the surface, in the active Six-Pointed Portal with its White Time Tunnel. On the ground, from the outer lines of the Six-Pointed Portal, it is 1 to 1.5 meters of layering. This means that a person standing in the middle, maybe alongside of a landed UFO, can see and experience the whole event. While a another secondary person, that is standing half into the active Six-Pointed Portal and its Tunnel, might just get a blurry experience with a very poor vision of anything that happens, maybe just flickering and shifting lights. Just taking one step inwards or to the right or to the left side and the person can completely miss the sight or see everything that is going on. A third person, standing further

away from the center of the active Six-Pointed Portal and its Tunnel, will most likely completely miss the entire experience, because it was the wrong place to stand. Good advice is: “If you have a clear view and have a good sight, do not move!

The three people who were wearing a watch will afterwards show different times. The first person in the middle will have a totally different time, then the second and third persons’ watches. So, the three witnesses have three completely different stories to tell. The first person, in the middle that saw it all, will probably not be believed. Good advice is: If you have a real physical experience, don’t talk about it or just excuse it as being just a hoax or a joke. The extraterrestrials don’t want us to really talk about our contacts. I had my first contact in 1966 and I learned that lesson already then.

### **Other Uses for Six-Pointed Portals**

Because you are shielded with the White Time energies inside of a Six-Pointed Portal, no one can see or hear you there. So, other uses for Six-Pointed Portals is non-interfered universal communication between planets and other species, no one can listen in on those very safe communications. Sometimes even other grids or dark energy are used. All of these ways of communication are instant, without any form of delays, no matter of the distance.

The Six-Pointed Portals are natural powerful energy places. They also can be used in many other ways. Planets need them to “breathe” in and out all the energies that otherwise might be stuck there. Any healthy planet needs all of its Six-Pointed Portals and their Tunnels to be free and open.

On the ground the Six-Pointed Portal’s Tunnels vertically reach very far upwards and have a crystal pointers shape, seen from the side. At the point of that shape it meets another much, much bigger Universal point with the same crystal shape. That happens about at 400 kilometers up or further, sometimes further out in space depending of how “free” the Six-Pointed Portal is.

All of the universal power plants are located within a Six-Pointed Portal and their Tunnels with White Time that helps to take down the very, very strong universal energies. There are six of these universal energies, creating a seventh energy part which then can be divided into a maximum of 28 parts. Each of those 28 parts is capable of working with a specific thing, like producing light in special kinds of light walls, ceilings or even floors onboard, etc., or producing endless free energy to machines or creating a warm or cold comfortable climate inside of crafts and houses. Another part is run through gravity lenses and creates gravity onboard any craft.

The problem on Earth is that the scientists might actually find a source of free energy, but they do not have the right material to use it with. It is like trying to

hook up a toaster with a new form of energy for getting light. It is not the free energy idea that is wrong, but the way that scientists tried to use it.

With the help of White Time, the universal energies can be harvested and used for space travel or be collected and used in the universal power plants. To spice things up, two power plants in conjunction can be used. Usually the two are located on two different planets.

### **Sadly**

The sad part about the Six-Pointed Portals and their White Time is that they are so very powerful and that they will activate themselves no matter what. Humans build roads everywhere all over and they sometimes cover them. That means that accidents can occur, if a driver comes into an active system and can no longer see the road ahead clearly.

In certain places Six-Pointed Portals and their White Time creates problems, like in the Bermuda Triangle. There is a lot of underwater-based Six-Pointed Portals with White Time there. They are more in an active mode, even though they should not be like that. This is because there use to be a form of a universal power plant there in the past. The same kinds of power plants also use to exist in Alaska, in Canada and on Finland's lower west coast, etc. At these locations, any technical equipment for measuring things like a magnetic field or using a regular compass is disrupted or totally taken out of order.

### **Our Ancestor's Practical Use of Six-Pointed Portals**

In ancient times, many of the prehistoric monuments, buildings, obelisks and stones settings, where erected and perfectly arranged within Six-Pointed Portals with there White Time Tunnels. With White Time being all time in one unit; the past, now and the future, gave the people the opportunity of communicating with everything from nature beings and spirits, to their deceased relatives or spirits forms as like ghosts. They also felt closer to the Heavens and their Gods in the Six-Pointed Portals.

In the middle of any Six-Pointed Portal there is a special healing point with strong White Time, there also is a male and a female point. Our ancestors used these points for ceremonies and at bonding ceremonies or weddings, the union was then blessed by their Gods.

In the middle point of an active Six-Pointed Portal the energies are strongest. It is the best place to experiment with things there, things that might not work elsewhere, like cold fusion, etc. The cold fusion success in France was due to a short White Time activation and an unstable Tunnel.

Everyone existing will use White Time in a smaller form of a created Six-Pointed Portal and Tunnel at least twice in his or her life. First when entering the



unborn fetus, then when departing the body and dying. At the dying part the White Time and the Six-Pointed Portal's Tunnel's creates a bright white light and a wide Tunnel effect. Even though White Time in itself is all colors in one and therefore becomes the white light.

White Time can be held and used by people, for physic abilities. They can then see into the past, live and preform in the now and also see into the future in any way they please. Classes about White Time exist on Earth, like Universal White Time Healing, search for authorized teachers online.

### **The Engine**

The UFO's I have encountered since 1966 don't use any conventional or ordinary fuel. In the "engine" there are a few "things" that attracts the outside universal energies within the Tunnels system of White Time.

In a Six-Pointed Portal and its Tunnel you need a very little push of force, to get going and vertically moving upwards. Then there are incredible strong forces and free energies in the Universe, that is what the extraterrestrials tap into and use. The "engine drive" in a UFO craft runs on this very strong Universal Force.

Taking in the energies in the bottom of the craft, sending them up to the top. Working with them in the top of the "engine" and then sending them down through the gravity lens and out in the bottom.

If anyone attempts to build a spacecraft, the building material is the key, if you are going to use Six-Pointed Portals and their Tunnels. Very special material is used for the build up of a UFO craft.

The saucer shape is a smart shape to equally take in universal energies from all angles and directions in the Universe.

### **The Special Planetary Core**

A special core is needed for Six-Pointed Portals and their Tunnels of White Time to exist. This special core exists in certain planets, moons and suns and then it can produce Six-Pointed Portals and Tunnels with White Time. But, not all planets, moons and suns have such a specific core. So, special maps are created for safe travels between them, these maps exist in a four-dimensional cube, filled with a liquid substance. The map has the "good" available planets "floating" and moving along in the cube, for the requested flight path for the craft.

### **Our Universe in The Bigger Blue Creation**

Our Universe exists in a bigger part, called a Creation. Our Creation is commonly called the Blue Creation.

A Creation is much more than only just one single Universe. A Creation has many levels, dimensions and also many smaller Universes attached to a bigger Universe. In our case it has a square shape, even though the Creation isn't

square. Many times, such a big Universe, like ours also has a Parallel Universe attached to it.

In our Universe, we and everything else needs to be perfectly still to be able to create, but in the Parallel Universe it is the opposite rule, motion creates.

The buildup of a big Universe, within its Creation, also requires and includes a lot of different kind of grids, like the Fabric of Time and the Fabric of Reality, etc. Our Universe, in its Creation, has five different kinds of Fabrics or Grids, the above two, are two of those five. Fabrics or Grids “upholds” the Universe structure and distributes forces and energies within them. It also holds other kinds of matter and energies not noticeable, not seen or possible to measure in any way. But still they are there; “black matter” and “black energy” are just two things out of quite a bit more.

We also have black holes, sometimes with the black hole on one side, and white holes on the other side of it. Even if we see them sidewise, we will just see a black hole on both sides. A black hole draws in matter to it and white holes gives out matter, if and when they are connected. But, there also exist black holes with a black hole on the other side, or white holes with a white hole on the other side. In all of their middle parts on a different layer, there is a special part where nothing is ever completely destroyed or wasted.

Let us use a metaphor for this: like a hamburger, with the buns being the holes on both sides, then the ketchup, cheese, dressing and veggies embracing the partly hidden juicy patty. The patty could in fact be made of anything from meat, chicken, fish or even be a veggie burger. The ingredients of the patty belongs a mystery until you can try it. With the hamburger, you have to really see and taste it, before you can be sure of its true contents.

The area in between the two “holes” is a different form of a “non-seen” storage area and when you think you have figured it out, about all the layers, you haven’t really reached there yet. You really need to “see and taste it” before you understand the true contents.

In the “non-seen” storage area everything continues forever. Even all of our knowledge, thoughts and memories, etc. are stored in this area. The area is one part of the five Fabrics or Grids of the Universe.

All is there forever and ever, for others to pick up, long after the original individuals are long gone. So, nothing ever ceases to exist. Every single idea, thought, wish, dream or prayer lives on and are passed on to any open mind later on. This is why more then one person can get the same brilliant “new” idea for an invention. The past used thought can enter a creative mind or multiple minds at one time. But, whose idea was it to begin with? Maybe it wasn’t even from this world. Usually a new idea is given to multiple people for it to happen. Some might not be capable to fulfill or cannot afford to develop the idea. The more advanced we become the more advanced ideas we can tap into.

So, nothing physically gets wasted and nothing is even forgotten, not even the material that builds us or everyone and everything. All there is keeps on being reused over and over again, forever to rebuild and restart with.

### **Space Travels**

The extraterrestrials say that space travels in the Universe is like riding a horse. You first need to know its strength and stamina and how it will react and use it, for or against you. You also need to learn its temperament and temperamental moves before riding. Still, you need to always expect the unexpected, anything could happen and you be kicked off in a second.

### **Once Again**

The Universal Fabrics and Grids carry the Six-Pointed Portal Places with its White Time. Earth Tunnels connecting to other planets' Tunnels, they are like "antennas" that stick out from each of the planets, near or very far away.

All over the Universes, other planet's Portal antennas reach out and connect with Earth's antennas. This also occurs from planet to planet, in our own solar system. It is not only planets that can do this, suns, moons, etc. can also have Tunnels, but they all need to have the right kind of core to produce Six-Pointed Portals with White Time and therefore have good antennas.

Depending on which portal planet Earth is connected with, on the other side, we as humans experience different emotional moods. We can become happy or sad, feel physically strong or feel rejuvenated, but also the opposite and maybe feel discomfort or even feeling really weak.

In a Six-Pointed Portal Place with its White Time Tunnel we can also experience that the wind stops blowing, that all sounds disappears. Everything gets quiet and still and almost has a "compact" a dense feeling. If you look up, the stars seem closer and that is an optical illusion.

Without knowing some people choose these Portal places for their picnics, party's, etc. because of the feeling of calm tranquility and the nature's beauty there. They also feel that time goes slower there and therefore have more time to enjoy their picnic or party.

But, in some cases Six-Pointed Portals time can go faster and then when we step out of the Portal we have lost time, maybe hours instead of gaining time. We have been in a negative time slot, probably connecting to a weak core or a core somewhere very, very far away from Earth.

## **If You Get Invited to Fly With Them**

If you get invited to go with extraterrestrials and travel/fly with them, first really make sure that they are nice and good ones. When I was contacted in 1966, I was trained and taught one thing and that is: Don't trust anyone, not down here or up there until you are 100% sure.

Prepare your flight with them carefully so that you choose the right clothes and do not use leather goods, like in jackets, belts and shoes, if you want to honor their caring lifestyle.

For the first travel, bring sandwiches, fruit, candy and a big bottle of water, no meat products and honor that they are vegetarians.

Before the traveling, see to it that you are in time, at least 30 minutes a head of schedule.

At the landing place, locate their markings for where you should stand. Stand there; do not go closer, until they say that it is okay. There are things that might be hot on the craft.

Then quickly get onboard for them to be able to work inside of their time frame for the Universal Tunnel.

Out there, do not pick up things, plants, seeds or stones without asking first. Don't try to hide things from them, they know and read your thoughts before you even have started thinking.

Ask them to feel and compare things, like stones and metals. These are usually much lighter "out there" than on Earth. Notice and enjoy all the new smells, sounds, animals and the astonishing views.

The extraterrestrials usually only take us to a place that is safe for us, where you can breath and would not be harmed in any way.

Later, you don't need to bring any food or water, but it is smart for the first time. Candy, like chocolate, is smart for grounding yourself, if you get too excited on your trip. Ask to try their tasty cuisine of food and drinks. Try something called Kire-berries

Having contact, ask them many, many questions, ask to learn and understand things, to be given universal knowledge in your area of interest. Also, ask them to learn the vibration language, and then you can talk with almost anyone "out there". It takes 3 days to a week to download that language into your brain, in forms of openings and initiations.

A good advice is to not start any "long distance relationships" with them, either then a friendship, all emotional relationships are quite stressful.

Show them that you are grateful and always thank them for what you have been given. But, also understand if they don't tell you everything.

With good behavior, maybe they will educate you to be a contact person, a person who can bring others out with them. It will also be easier for you, because they will assist you with places and flight times. And maybe one day you even could get your own craft.

## **Space**

Space has different qualities depending on where it is located.

The extraterrestrials have divided the Universe into something they call, turning sections or turning circles, like the tree rings of a year in a tree. On each ring, different galaxies are located in the same section and ring, even though they might be very far from each other, across the entire Universe. Depending on the build up of space, they end up belonging to the same ring. Travels on that ring, gets them to be closely connected. The Universal Grids and a Dark Grid helps them with their travels.

The network of White Time Grids is much bigger than only the Universe and the Creation. White Time Grids also connects the different Creations with each other, even though they can't reach, communicate or even understand each other's. But, the White Time Grids flow is there, so they know of each other's presence and existence. Everything is bigger than just one Creation. On this bigger level we all belong to the First Reality, together with all other Creations. That is just a fact and not really important for us, or the extraterrestrials. But, it just makes our eternal and endless Universe way smaller. Still our life, here and now, is very big and precious.

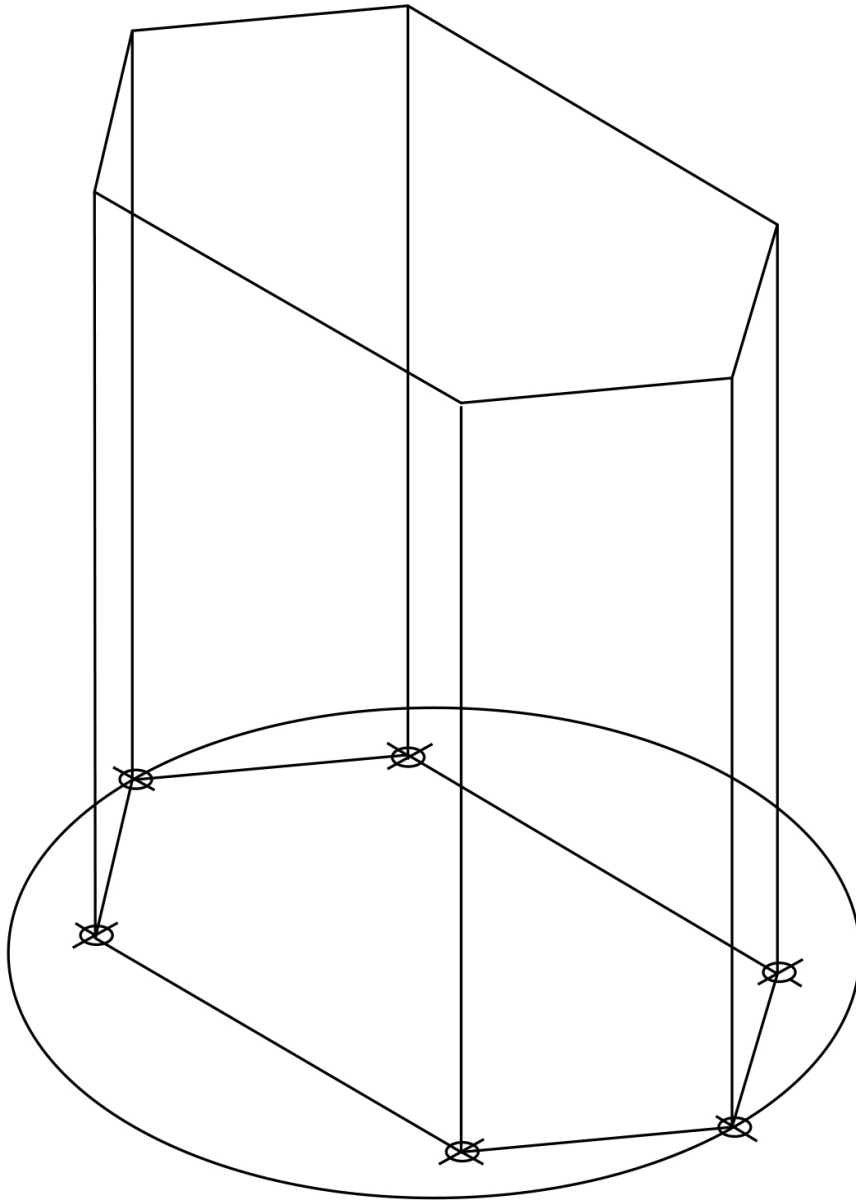
## **A Few Last Words from Me to You**

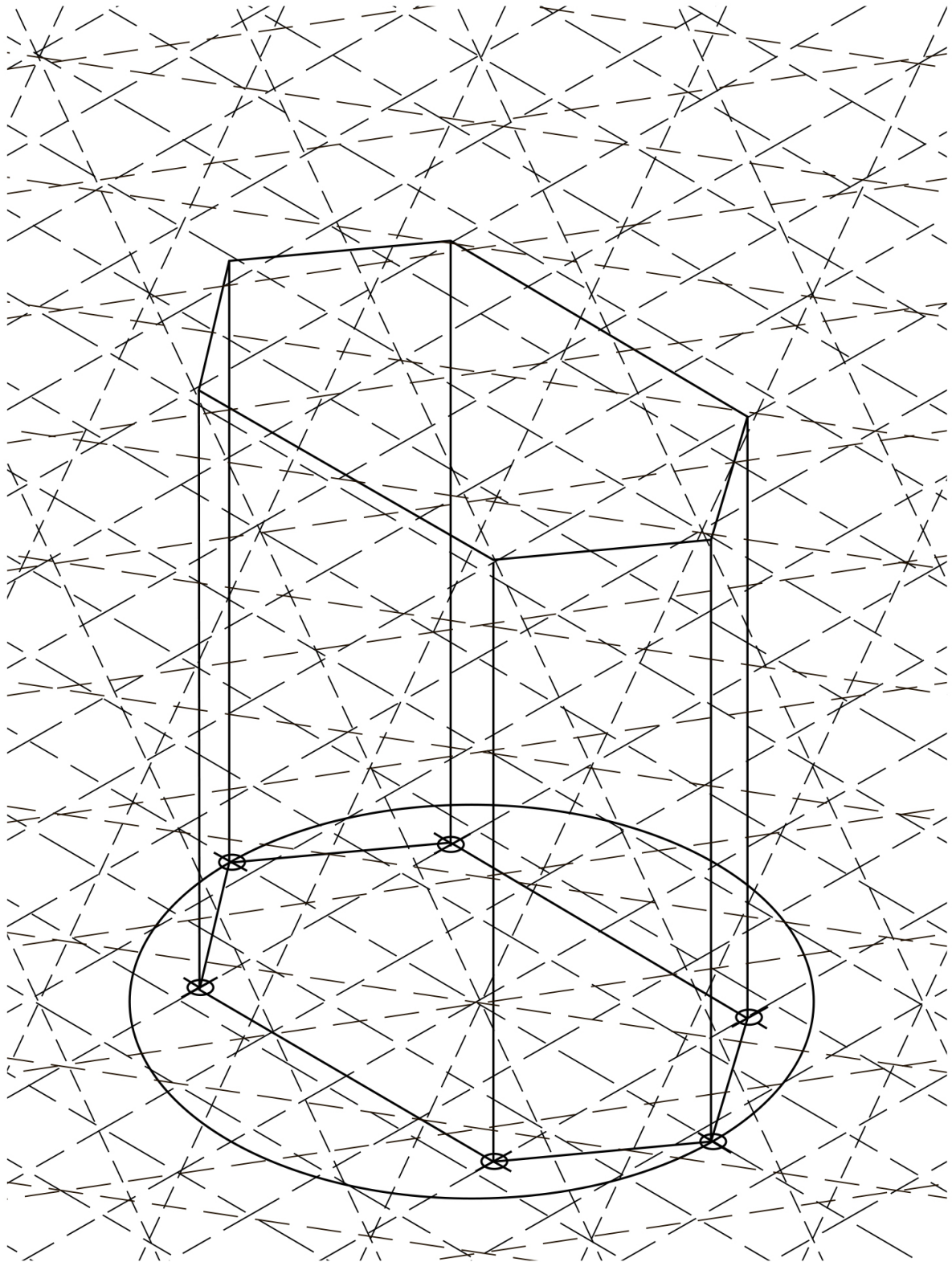
We all live in one or another ordinary world. So, it is nothing strange that there are many worlds with many different species. For them their world is just another ordinary world.

Most kinds of extraterrestrials have come to Earth with good and kind intentions. They have always, since forever, tried to help us. They wanted us to expand our consciousness, understand and see them for what they really are, just another kind of species in our big Universe. They also wanted us to grow and move forward, so they helped us with some of our technical and scientific developments. The extraterrestrials always have had contact people on Earth that delivered the messages to some selected individuals, but also the general people.

So finally, why they are here and what they really want is to teach us new and better "things". They truly want to educate us, so that we can open our full potential of who we really are as humans. This, so that we one day can become honorable members and a part of the bigger community of Worlds in our beautiful Universe.

## Drawings of Six Point Systems in The Grids





**Be Loving and Kind - Be Open-Minded and Curious - Also Be Cautious.**

**© CC WEST SWEDEN 1991 and 2023**